

800mm Light Bar User Data



RGBW (White 5000k)	Tuneable White (592nm - 6500k)	Single Colour (R,G,B,A,W)	RGBA (Amber 590nm)
4 Channel	4 Channel	1 Channel	4 Channel
3,700lm/M at source	4,020lm/M at source	-	2,890lm/M at source
38.4W per lamp	38.4W per lamp	38.4W per lamp	38.4W per lamp
32VF Forward Voltage	32VF Forward Voltage	32VF Forward Voltage	32VF Forward Voltage
350mA CC Input	350mA CC Input	350mA CC Input	350mA CC Input
25° x 8° standard optics	25° x 8° standard optics	25° x 8° standard optics	25° x 8° standard optics
8° / 25° / 40° optic lens options	8° / 25° / 40° optic lens options	8° / 25° / 40° optic lens options	8° / 25° / 40° optic lens options
IP40 Ingress Protection	IP40 Ingress Protection	IP40 Ingress Protection	IP40 Ingress Protection
RJ45 connectivity	RJ45 connectivity	RJ45 connectivity	RJ45 connectivity
Aluminium Housing	Aluminium Housing	Aluminium Housing	Aluminium Housing
816 x 47 x 30mm (L) x (W) x (D)	816 x 47 x 30mm (L) x (W) x (D)	816 x 47 x 30mm (L) x (W) x (D)	816 x 47 x 30mm (L) x (W) x (D)
-10°C / +40°C Operating Temp	-10°C / +40°C Operating Temp	-10°C / +40°C Operating Temp	-10°C / +40°C Operating Temp
Cooling System: Convection	Cooling System: Convection	Cooling System: Convection	Cooling System: Convection



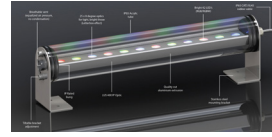
800mm Light Bar User Data

More Options



Non-Optic Flood
Optional

816 x 47 x 20mm
(L) x (W) x (D)



IP65 Housing
Optional Accessory

860mm x 60Ømm
Dimensions

Accessories



Fixing Brackets
Supplied with all

Compatible Drivers



Powers
1 pcs

LED Outputs
1

Max per Output
1 pcs

DMX Channels
1 - 4



Powers
4 pcs

LED Outputs
4

Max per Output
1 pcs

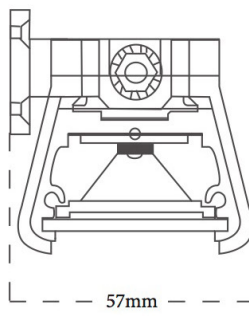
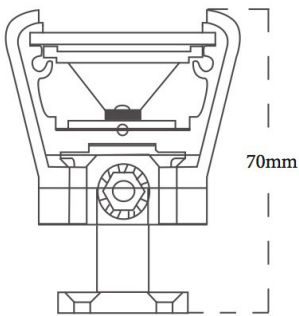
DMX Channels
1 - 16



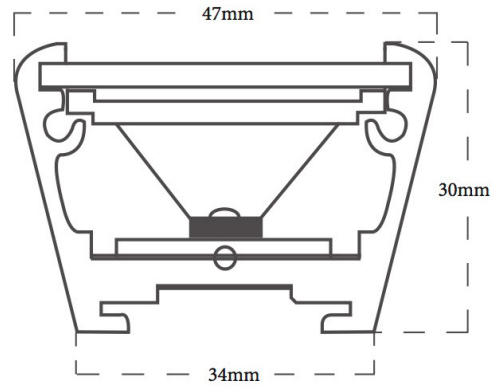
800mm Light Bar User Data

Optic Dimensions

With Brackets

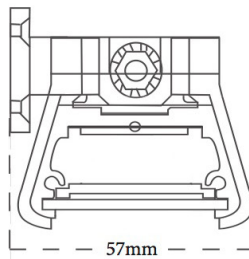
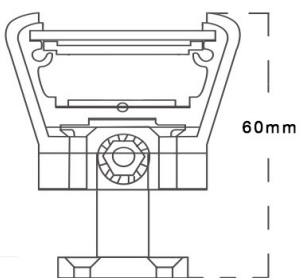


Without Brackets

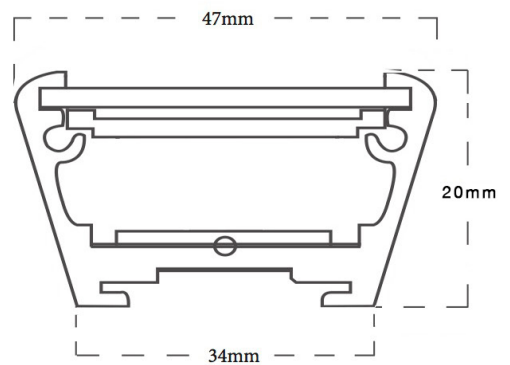


Non-Optic Dimensions

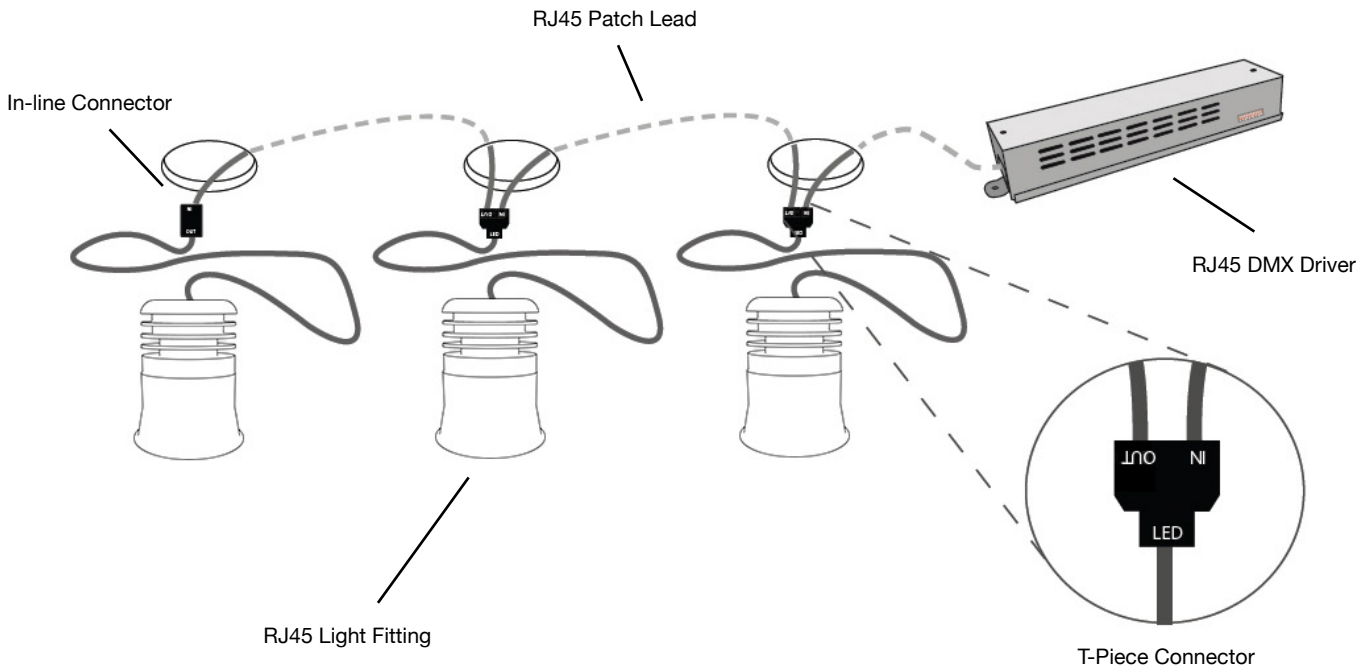
With Brackets



Without Brackets



RJ45 System Wiring



WARNING! Example diagram only. Please read this section carefully before any installation work is carried out. All work should be carried out as per our instructions. Failure to do so may void any warranty. These instructions are to be used in addition to the Driver manuals.

IMPORTANT

All work involving electrical components should be carried out by a competent qualified electrical professional in accordance to IET BS 7671 and any local by-laws.

All mains power **MUST** be turned off before starting installation or maintenance; and **MUST** remain off for the duration of installation or maintenance.

Equipment may become hot to the touch when used for periods of time. Ensure equipment is off and cooled before carrying out maintenance.

DO NOT connect or disconnect light fittings while mains power is connected. All RJ45 connections **MUST** be made before mains power is connected. Failure to do so may result in catastrophic failure of the LED.

You can install any combination of RJ45 fittings from a single 'LED' output on the Driver, ensuring the total combined forward voltage of the fittings connected to any single 'LED' output **DOES NOT EXCEED 48V** and is **NO LESS THAN 8V**.

TESTING

You should test each fitting in isolation before continuing installation.

1. Disconnect the Driver from mains power.
2. Connect RJ45 light fitting to the 'LED' socket of the Driver in isolation.
3. Power up the Driver.
4. Press 'ENT' continuously to select RED, GREEN, BLUE and WHITE.
5. Repeat steps 1 to 4, for each fitting.

If each fitting lights up and displays each colour you can continue with your installation.

If a fitting does not light up or display each colour please contact us for help. Do not continue your installation.

INSTALLATION

Ensure you have carried out the testing before installation.

1. Disconnect the Driver from mains power.
2. Using a RJ45 patch lead connect from 'LED' socket of the Driver to 'IN' socket of T-Piece.
3. Connect the RJ45 of fitting to 'LED' socket of T-Piece (1x 'LED' socket, 1x 'IN' socket, 1x 'OUT' socket).
4. Connect a RJ45 patch lead from 'OUT' socket of T-Piece to 'IN' socket of next T-Piece.
5. Repeat steps 3. and 4 for each fitting, ensuring you do not exceed a total forward voltage of 48V to each 'LED' output of the Driver.
6. The last fitting should be terminated with an In-line connector in place of the last T-Piece. (1x 'IN' socket, 1x 'OUT' socket).

RJ45 Plug Wiring		
Pin	Function	Wire
1 -	Red +	Orange / White
2 -	Green +	Orange
3 -	Blue +	Green / White
4 -	White +	Blue
5 -	Red -	Blue / White
6 -	Green -	Green
7 -	Blue -	Brown / White
8 -	White -	Brown

